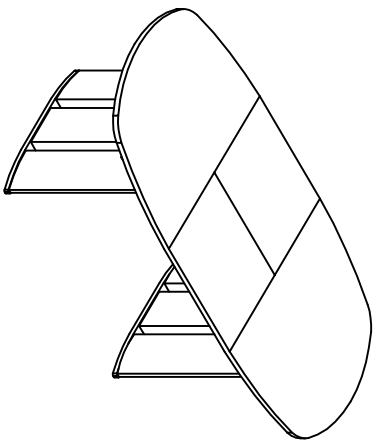
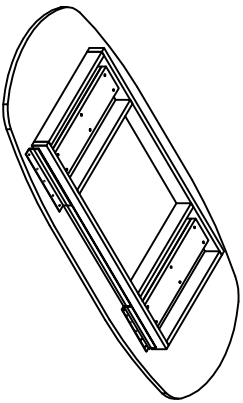


HALO DINING TABLE

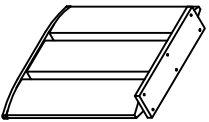


1



*1

2



*2

A



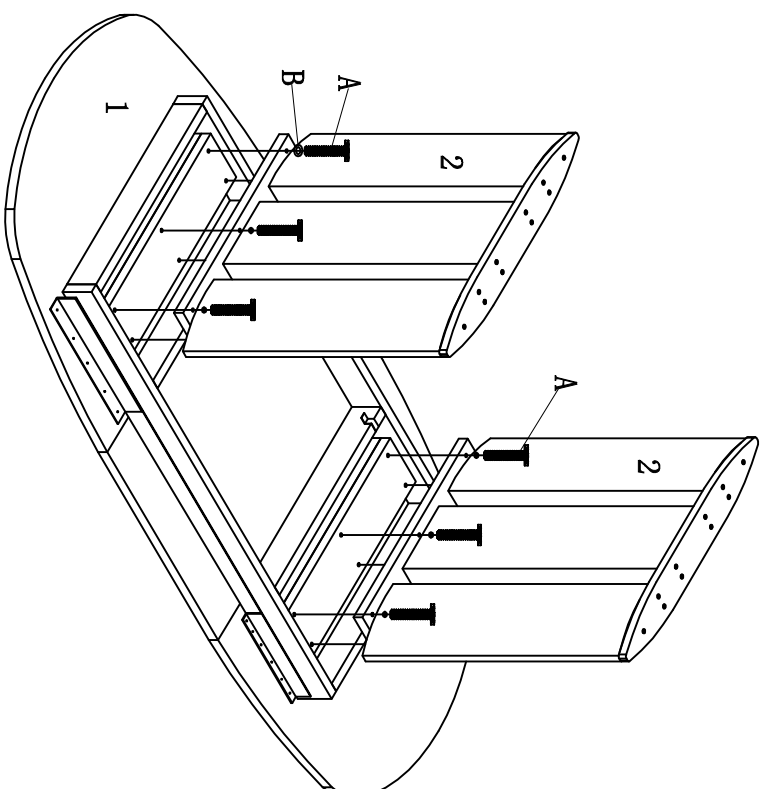
8*50

*12

B



*12



Tip: Avoid placing your furniture in direct sunlight and maintain at least 2ft between furniture and heat sources. Do not place any high temperature items directly on the wood top. Use coasters and/or place mats to prevent damage to the high-gloss finish.



®